

# One IPS, More Applications

Uncompressed & Zero Latency 4K/60Hz AV Over IP



- 4K/60Hz 4:4:4 AV over IP via a 10-Gigabit network
- Seamless switching & Zero latency
- PoE+ - Power over Ethernet+ (IPS-AC Only)
- End-to-end AES 128-bit encryption ensures safe video transit
- Rackmount chassis for efficient deployment
- Preset-event function to schedule the video
- Transceiver ( transmitter and receiver in one device )
- Excellent heat management with a fanless design
- Support video modes - matrix switch, multi-view display, video wall, and KVM
- Intuitive management via web GUI and APIs  
( Application Programming Interfaces )



## Testimony

AV LINK' s APIs ( Application Programming Interfaces ) help us to integrate the IPS devices with the existing environmental control system and transport the video to multiple meeting rooms and event spaces.

– The Team of Intelcraft Solution, The Representative for Connex Sriracha (A Meeting and Wedding Venue in Thailand)



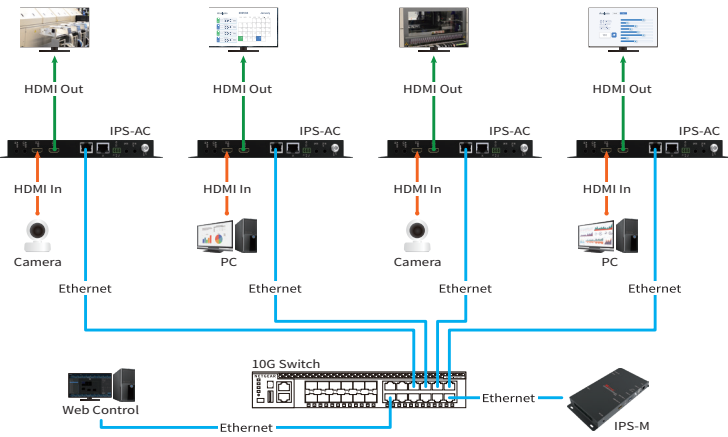
## Applications

- ◆ **Hospitality / Corporate**  
Customization Achieves Venue-wide Audiovisual Content
- ◆ **Industry / Transportation**  
Crystal-clear Video Helps Monitor the Work of the Equipment
- ◆ **Entertainment / Sports**  
Zero Latency Enables Audiences to Cheer Simultaneously
- ◆ **Retail / House of Worship**  
Flexible Installation Satisfies Diversified Scenarios
- ◆ **Education / Healthcare**  
Synchronized A/V Content Contributes Immerse Learning
- ◆ **Government / Military**  
Made in Taiwan and Quality Guaranteed

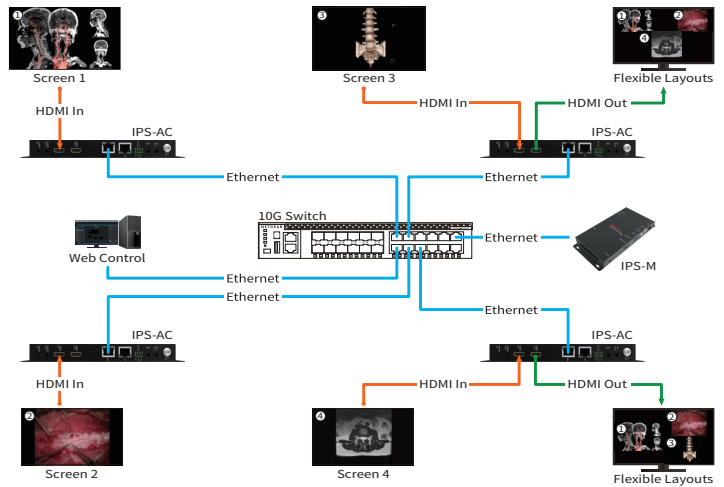


**Diagram**

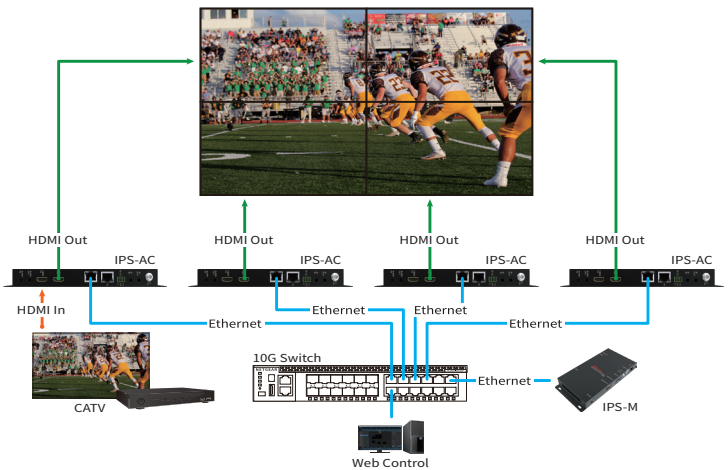
**Matrix Switch**



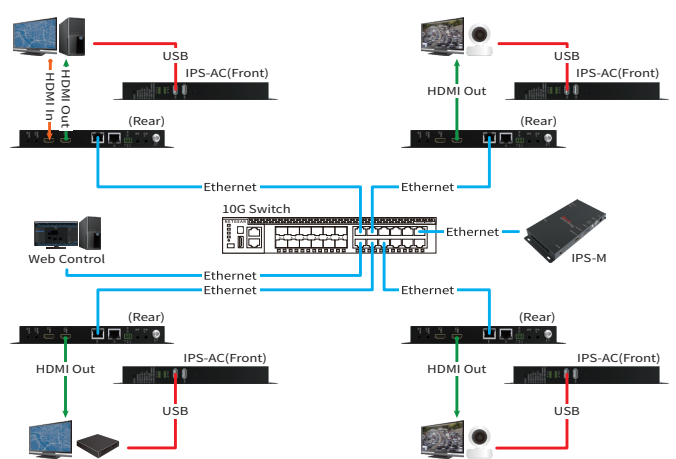
**Multi-view Display**



**Video Wall**



**KVM**



※The IPS series provide Copper (RJ45) /Fiber connectivity

USB — Ethernet — HDMI Out — HDMI In —

**Specifications**

Product Family	IPS-AC	IPS-AF
Connectivity	Cat6A Cable	10G Fiber SFP+
Connection Distance	Up to 100 meters	Up to 10 kilometers
Power over Ethernet (PoE)	Yes	No
Video Input / Output	4K/60Hz 4:4:4 HDR HDMI 2.0 & HDCP 2.2	
Audio Input / Output	Dolby & Analog L/R	
USB	USB 2.0 & HID USB 1.1	
RS232 Routing	Baud Rate Up to 115200	

